

# FREE CONNECTION DESIGN

Available now from **lindapter**<sup>®</sup>



As part of its extensive Technical Support service Lindapter, the innovators of steelwork clamping fixings, can design a bespoke connection based on your specific requirements free of charge in **three** easy steps...

1

Email your connection requirement (contact details on next sheet)



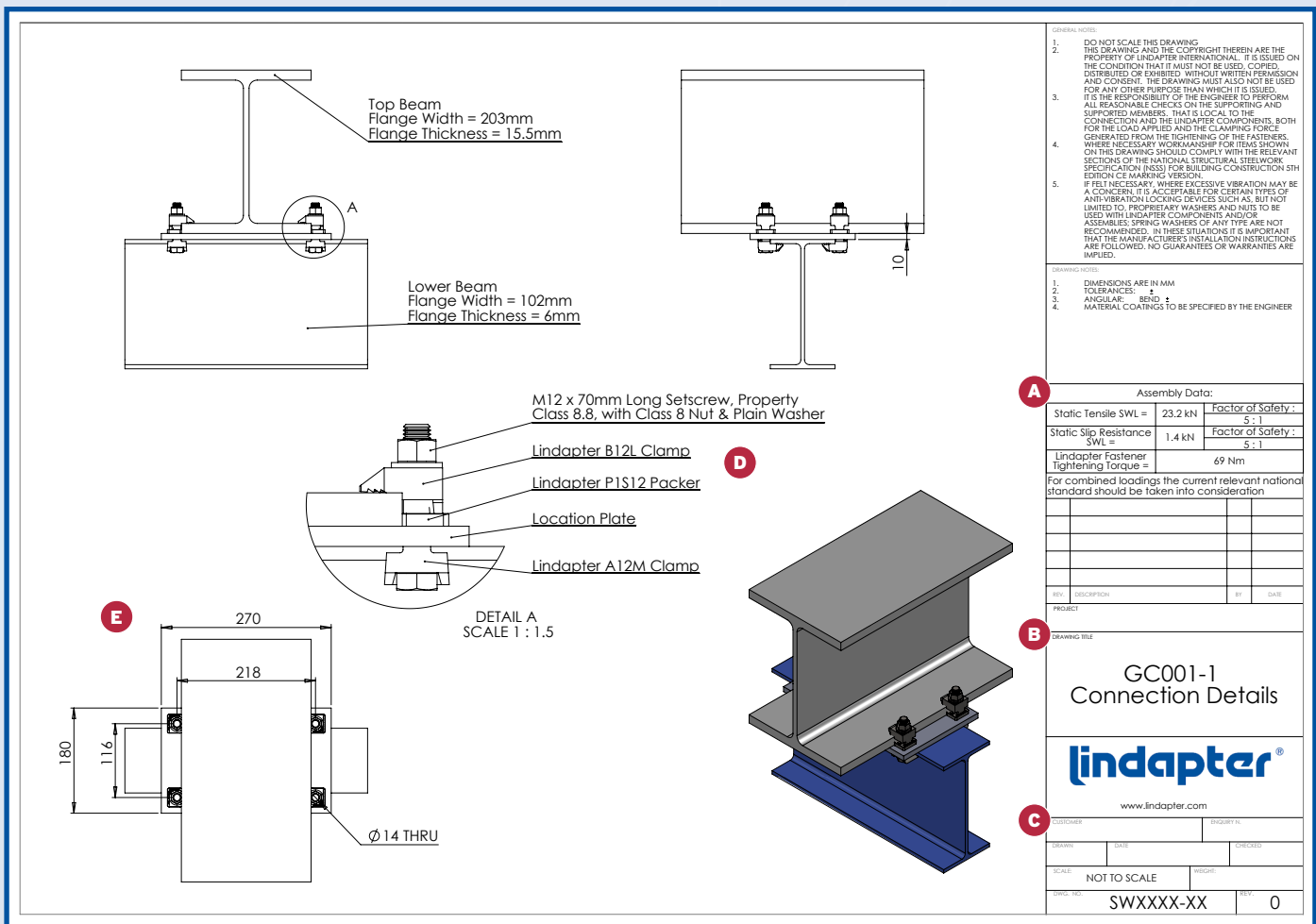
2

Lindapter's experienced Engineers will devise your bespoke solution



3

An Engineer will send you a design drawing, as below



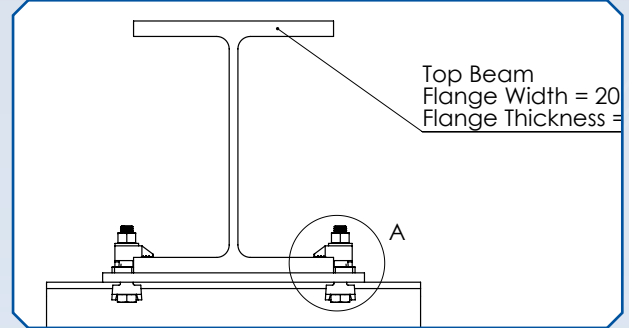
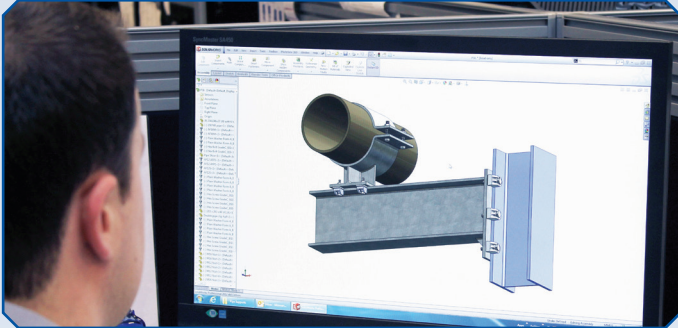
Example shown: GC001-1

## Each drawing includes:

- A)** Assembly Data (allowable loads, torque requirements and Factor of Safety used)
- B)** Customised project name or detail
- C)** Your company name
- D)** Lindapter product requirements
- E)** Additional dimensions for precise fabrication

# FREE CONNECTION DESIGN

Available now from **lindapter**<sup>®</sup>



## Why choose Lindapter?

Lindapter's experienced team of Engineers ensures an efficient specification process from start to finish, aiming to create a bespoke solution that delivers on cost and performance, ultimately **saving you time and money**.

Lindapter provides drawings in **2D and interactive 3D formats** as well as **CAD files** that are suitable to import into all major software applications. We can even customise the drawing by adding your project name so it's ready for plan checking immediately, thereby reducing design time.

Simply provide the details listed on the right and Lindapter will do the rest!

## What we require...

If you would like Lindapter to design your bespoke connection, please make sure to have the following:

1. Member sizes to be used or flange width and thickness
2. Loads to be resisted (eg. 10kN tension and 15kN slip)
3. General arrangement sketch and/or verbal description\*
4. Project Name / Title (optional)
5. Project Location (optional)

\*See Lindapter's catalogue for different configurations

## The Service

Free connection design is just a small part of Lindapter's service. We offer comprehensive design and support, tailoring our products to your application:



Free design proposal



2D / 3D drawings



Quotation



Supply



Installation guidance

>> For simple Girder Clamp connections try the Assembly Selector today at [www.Lindapter.com](http://www.Lindapter.com) <<

Contact Lindapter today

Tech Support: [support@Lindapter.com](mailto:support@Lindapter.com) / General Enquiries: [enquiries@Lindapter.com](mailto:enquiries@Lindapter.com) / T: +44 (0) 1274 521444

[www.Lindapter.com](http://www.Lindapter.com)